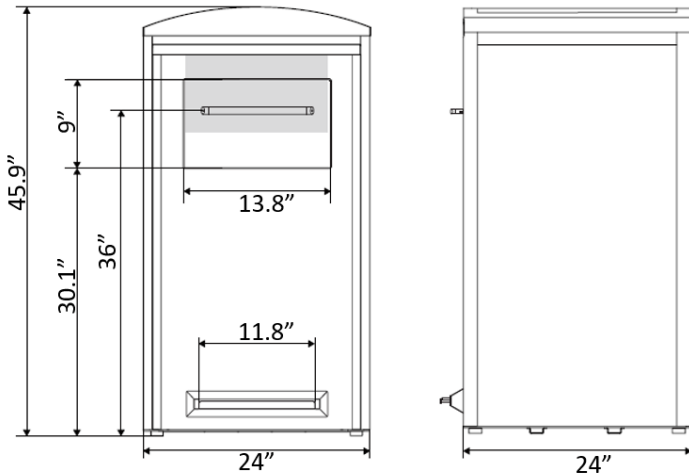
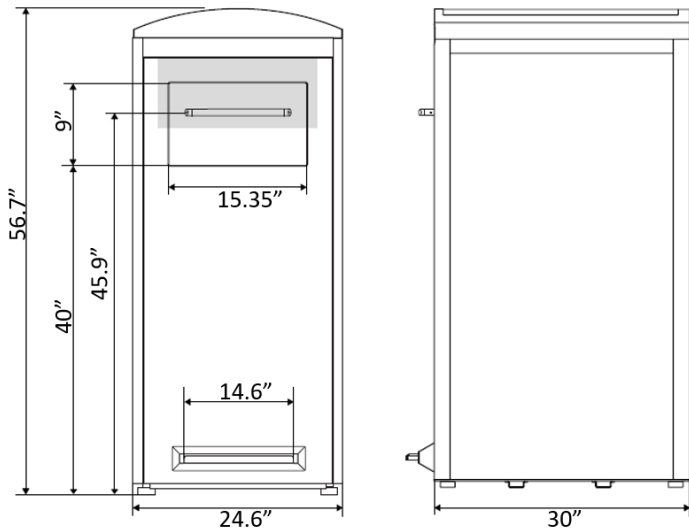


Clean CUBE Standard Model with Foot Pedal Technical Specification

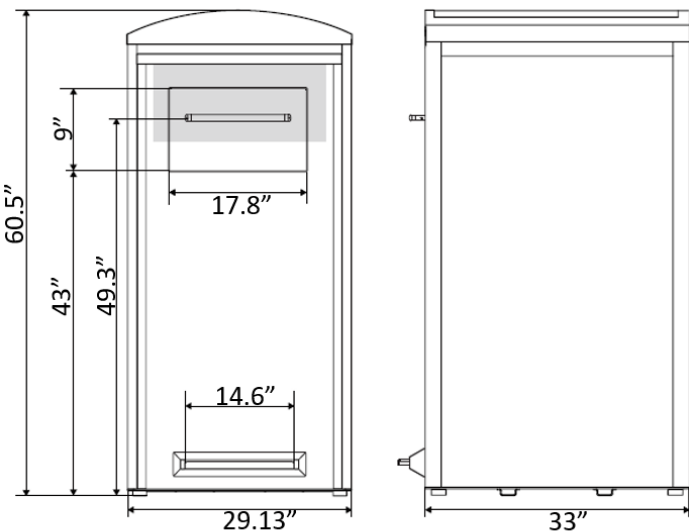
Foot Pedal model is similar to the Standard model, except that the bin opening includes a hopper design. The hopper can be opened manually using a handle or foot pedal available in front of the unit. These models are also available in **28 Gallons**, **35 Gallons**, and **65 Gallons** bin capacity. The features and functionality of all the three models are same as describes in the following:



28 Gallons



35 Gallons



65 Gallons

Product Dimensions

Model	Size (W*L*H) (in.)	Net Weight (Lbs.)
28 Gallons	24"* 24"* 45.9"	375
35 Gallons	24.6"* 30"* 56.7"	428
65 Gallons	29.1"* 33"* 60.5"	494

Bin Volume

Model	Compacted trash	Uncompacted trash
28 Gallons*	26.42 gallons	132 gallons
35 Gallons	34.7 gallons	159 gallons
65 Gallons	63.4 gallons	317 gallons

*28 Gal. customized inner bin available

Materials

- ROHS compliant
- Acrylic cover for advertisement panels
- Galvanized steel sheet metal construction for both interior and exterior structures
- Polyester powder coating for optimal durability and weatherability

Compaction Feature

- Compaction Force: Up to 1,587 lbs. of force
- Cycle Time: Approximately 40 seconds
- Motor Size: 1/6-HP DC geared motor
- Drive System: Geared motor with unique X-frame drive
- Control System: Smart microcontroller-based automated system
- Communication System: WCDMA and GSM module
- Location System: GPS module

Power and Electronic Control

- System Voltage: 12 Volts DC
- Power Consumption: 15Wh/day
- Battery: Spill-proof, sealed lead-acid storage
 - 28G: 12V 36Ah battery
 - 35G: 12V 46Ah battery
 - 65G: 12V 46Ah battery
- PV panel: Crystalline silicon solar module
 - 28G: 35W PV panel
 - 35G: 50W PV panel
 - 65G: 50W PV panel
- Polycarbonate protective cover for PV panel
- 3-color LED status indicator lamps
- Alternative Hybrid-powered (solar + plug-in) model

Safety Features

- CE approved
- Hopper with foot pedal option
- Fire detection temperature sensor
- Access locks for front door, top cover and side covers
- Optional mounting brackets

Design Features

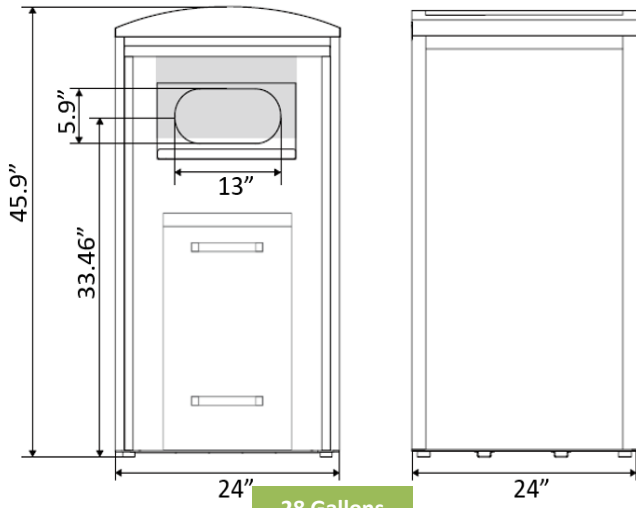
- A1/A2 size advertisement frame with acrylic cover
- LED backlight for A1/A2 size advertisement
- LCD monitor
- Wi-Fi router
- Available in standard black, brown, and green colors
- Customizable silk screen wraps

Bay Area Trash Compactor
info@batc-compacts.com
 (800) 955-0866

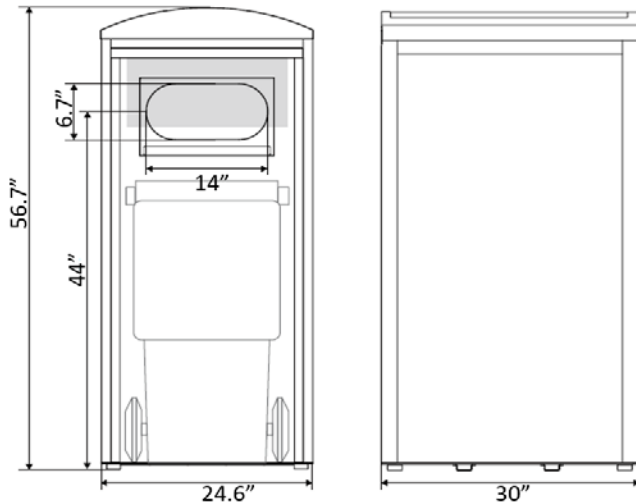


Clean CUBE Standard Model Technical Specification

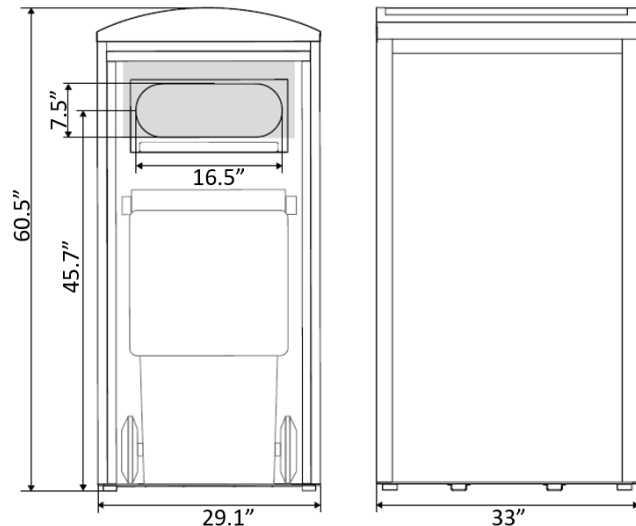
The Clean CUBE Standard model includes both fill-level sensing and compaction module. These models are also available in **28 Gallons**, **35 Gallons**, and **65 Gallons** bin capacity. The features and functionality of all the three models are same as describes in the following:



28 Gallons



35 Gallons



65 Gallons

Product Dimensions

Model	Size (W*L*H) (in.)	Net Weight (Lbs.)
28 Gallons	24"* 24"* 45.9"	330.7
35 Gallons	24.6"* 30"* 56.7"	374.8
65 Gallons	29.1"* 33"* 60.5"	427.7

Bin Volume

Model	Compacted trash	Uncompacted trash
28 Gallons*	26.42 gallons	132 gallons
35 Gallons	34.7 gallons	159 gallons
65 Gallons	63.4 gallons	317 gallons

*28 Gal. customized inner bin available

Materials

- ROHS compliant
- Acrylic cover for advertisement panels
- Galvanized steel sheet metal construction for both interior and exterior structures
- Polyester powder coating for optimal durability and weatherability

Compaction Feature

- Compaction Force: Up to 1,587 lbs. of force
- Cycle Time: Approximately 40 seconds
- Motor Size: 1/6-HP DC geared motor
- Drive System: Geared motor with unique X-frame drive
- Control System: Smart microcontroller-based automated system
- Communication System: WCDMA and GSM module
- Location System: GPS module

Power and Electronic Control

- System Voltage: 12 Volts DC
- Power Consumption: 15Wh/day
- Battery: Spill-proof, sealed lead-acid storage
 - 28G: 12V 36Ah battery
 - 35G: 12V 46Ah battery
 - 65G: 12V 46Ah battery
- PV panel: Crystalline silicon solar module
 - 28G: 35W PV panel
 - 35G: 50W PV panel
 - 65G: 50W PV panel
- Polycarbonate protective cover for PV panel
- 3-color LED status indicator lamps
- Alternative Hybrid-powered (solar + plug-in) model

Safety Features

- CE approved
- Hopper with foot pedal option
- Fire detection temperature sensor
- Access locks for front door, top cover and side covers
- Optional mounting brackets

Design Features

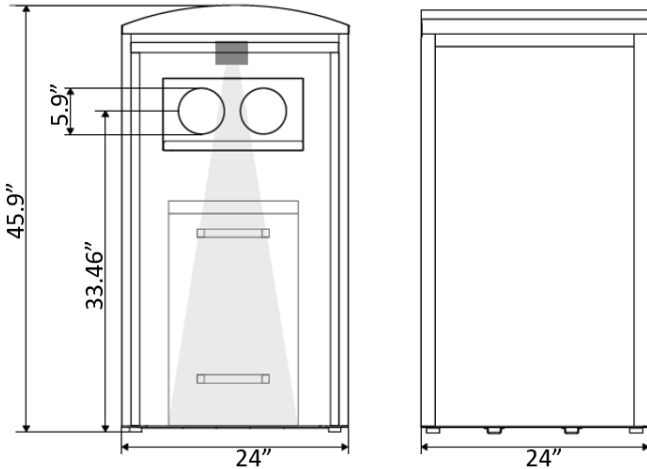
- A1/A2 size advertisement frame with acrylic cover
- LED backlight for A1/A2 size advertisement
- LCD monitor
- Wi-Fi router
- Available in standard black, brown, and green colors
- Customizable silk screen wraps

Bay Area Trash Compactor
info@batc-compacts.com
 (800) 955-0866

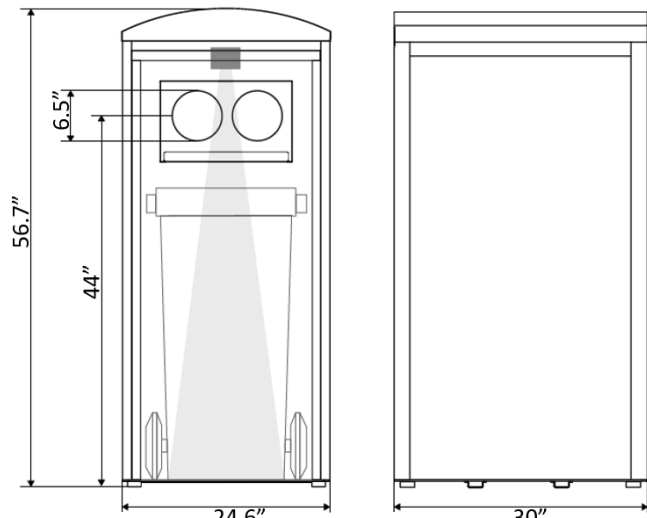


Clean CUBE R1 Recycling Model Technical Specification

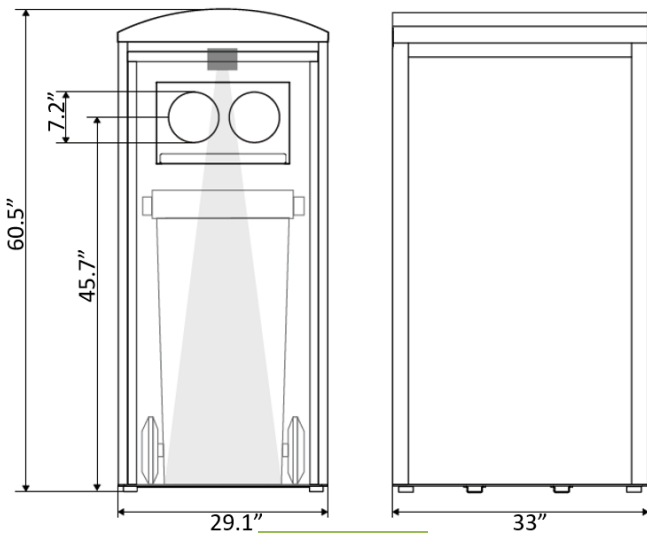
R1 model is similar to the Standard model, but excludes the compaction feature and provides only fill-level sensing. These models are also available in **28 Gallons**, **35 Gallons**, and **65 Gallons** bin capacity. The features and functionality of all the three models are same as describes in the following:



28 Gallons



35 Gallons



65 Gallons

Product Dimensions

Model	Size (W*L*H) (in.)	Net Weight (Lbs.)
28 Gallons	24"* 24"* 45.9"	159
3 Gallons	24.6"* 30"* 56.7"	176
6 Gallons	29.1"* 33"* 60.5"	212

Bin Volume

Model	Compacted trash	Uncompacted trash
28 Gallons*	26.42 gallons	132 gallons
35 Gallons	34.7 gallons	159 gallons
65 Gallons	63.4 gallons	317 gallons

*28 Gal. customized inner bin available

Materials

- ROHS compliant
- Acrylic cover for advertisement panels
- Galvanized steel sheet metal construction for both interior and exterior structures
- Polyester powder coating for optimal durability and weatherability

Sensor Parameter

- Measurement Technology: Ultrasonic/Sonar
- Range: ~ 12" – ~157"
- Accuracy: +/- 1.57" for solid materials¹ and +/- 0.39" for Liquids¹
- Resolution: 0.4"

Power and Electronic Control

- System Voltage: 12 Volts DC
- Power Consumption: 15Wh/day
- Battery: Spill-proof, sealed lead-acid storage
 - 28G: 12V 36Ah battery
 - 35G: 12V 46Ah battery
 - 65G: 12V 46Ah battery
- PV panel: Crystalline silicon solar module
 - 28G: 35W PV panel
 - 35G: 50W PV panel
 - 65G: 50W PV panel
- Polycarbonate protective cover for PV panel
- 3-color LED status indicator lamps
- Alternative Hybrid-powered (solar + plug-in) model

Safety Features

- CE approved
- Hopper with foot pedal option
- Fire detection temperature sensor
- Access locks for front door, top cover and side covers
- Optional mounting brackets

Design Features

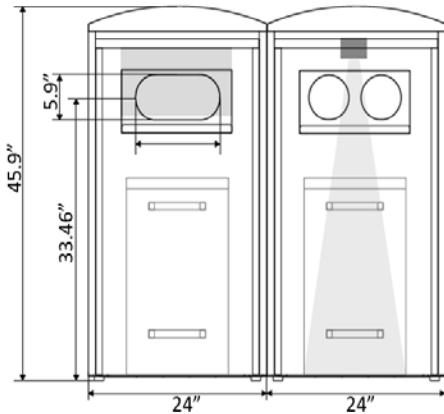
- A1/A2 size advertisement frame with acrylic cover
- LED backlight for A1/A2 size advertisement
- LCD monitor
- Wi-Fi router
- Available in standard black, brown, and green colors
- Customizable silk screen wraps

Bay Area Trash Compactor
info@batc-compacts.com
 (800) 955-0866

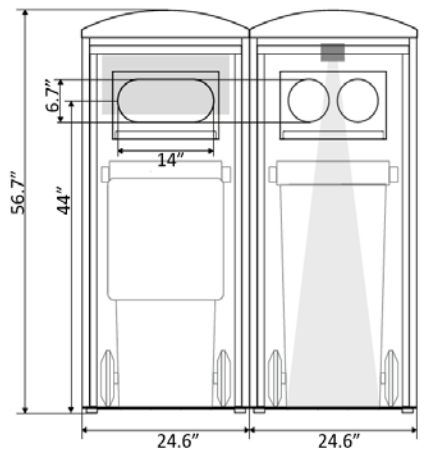


Clean CUBE Standard + R2 Recycling Model Technical Specification

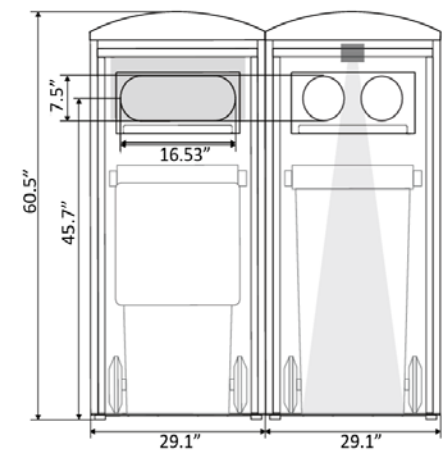
Standard + R2 model is designed to be installed in locations where waste generation is high. R2 model is installed adjacent to the Standard model, it excludes the compaction feature and provides only fill-level sensing. The R2 model does not have its own power unit and draws power from the adjacent Standard unit. The R2 unit has a metal top and is also available in **28 Gallons**, **35 Gallons**, and **65 Gallons** bin capacity. The features and functionality of all the three models are same as describes in the following:



28 Gallons



35 Gallons



65 Gallons

Product Dimensions

Model	Size (W*L*H) (in.)	Net Weight (Lbs.)
28 Gallons	24"* 24"* 45.9"	489
3 Gallons	24.6"* 30.5"* 56.7"	553
6 Gallons	29.1"* 33.9"* 60.5"	642

Bin Volume

Model	Compacted trash	Uncompacted trash
28 Gallons*	26.42 gallons	132 gallons
35 Gallons	31.7 gallons	159 gallons
65 Gallons	63.4 gallons	317 gallons

*28 Gal. customized inner bin available

Materials

- ROHS compliant
- Acrylic cover for advertisement panels
- Galvanized steel sheet metal construction for both interior and exterior structures
- Polyester powder coating for optimal durability and weatherability

Compaction Feature

- Compaction Force: Up to 1,587 lbs. of force
- Cycle Time: Approximately 40 seconds
- Motor Size: 1/6-HP DC geared motor
- Drive System: Geared motor with unique X-frame drive
- Control System: Smart microcontroller-based automated system
- Communication System: WCDMA and GSM module
- Location System: GPS module

Power and Electronic Control

- System Voltage: 12 Volts DC
- Power Consumption: 15Wh/day
- Battery: Spill-proof, sealed lead-acid storage
 - 28G: 12V 36Ah battery
 - 35G: 12V 46Ah battery
 - 65G: 12V 46Ah battery
- PV panel: Crystalline silicon solar module
 - 28G: 35W PV panel
 - 35G: 50W PV panel
 - 65G: 50W PV panel
- Polycarbonate protective cover for PV panel
- 3-color LED status indicator lamps
- Alternative Hybrid-powered (solar + plug-in) model

Safety Features

- CE approved
- Hopper with foot pedal option
- Fire detection temperature sensor
- Access locks for front door, top cover and side covers
- Optional mounting brackets

Design Features

- A1/A2 size advertisement frame with acrylic cover
- LED backlight for A1/A2 size advertisement
- LCD monitor
- Wi-Fi router
- Available in standard black, brown, and green colors
- Customizable silk screen wraps

Bay Area Trash Compactor
 info@batc-compacts.com
 (800) 955-0866

