

Vertical Balers

B-series

Baler PC24 HD Galvanized



Extraction of liquids.

The PC24 HD is not only capable of baling your cans or plastic bottles, it will also capture any liquid residue in the collection reservoir at the bottom of the machine.

Alu cans and PET bottles

The PC24 HD will crush aluminum cans so densely, you do not need to tie off the bale to get it to stick together.

Highlights

- Heavy duty machine
- Very dense bales
- Donation style door for easy loading
- Completely enclosed chamber with liquid reservoir
- Option for regular paint instead of galvanized
- Compliant with ANSI and UL standards

Optional Extras



Available in regular painted version as well.



Built-in Intelligence monitoring system - called BRA-IN, optimizes use and logistics.



A digital auto lock will prevent unauthorized users from running the baler without a 4-digit code.

Product details

Baler PC24 HD Galvanized



Whisper

30 dB



Refrigerator

50 dB



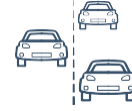
PC24 HD Galvanized

62-64 dB



Other balers

75 dB



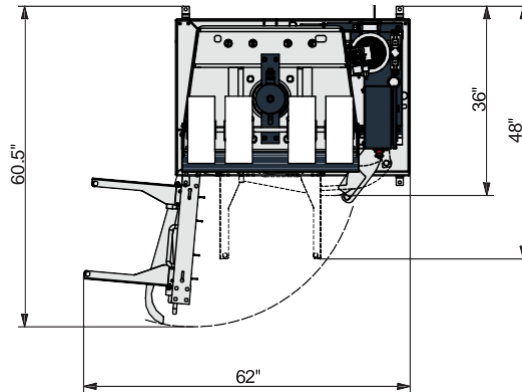
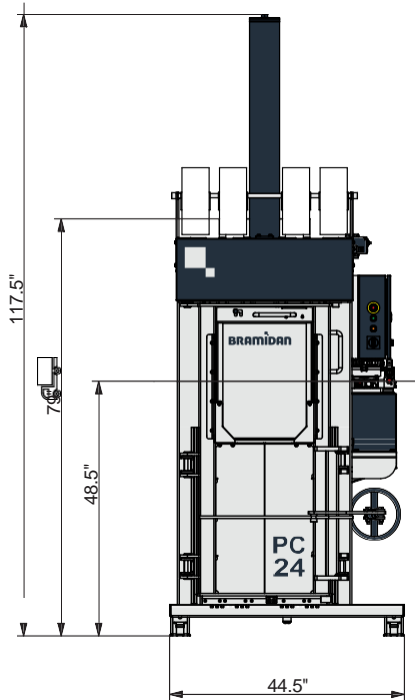
Cars on highway

100 dB



Turbojet engine

160 dB



Technical specifications

Bale size WxDxH (inch)	24 x 20 x 8-28
Feed opening WxH (inch)	20 x 20
Power supply	208/230/480V 3-phase 60Hz
Motor (HP)	5.5
Cycle time avg. (sec)	39
Dimensions WxDxH (inch)	45 x 48 x 118 / 79
Weight (lbs)	1985
Stroke (inch)	43
Number of ties	4
Type of tying	Twine / Steel wire
Full bale light	Yes
Bale eject	Automatic



Bale weight	
Alu cans (lbs)	30-120
Plastic bottles (lbs)	60-230



Press force	53,000 lbs
--------------------	------------



Noise level	62-64 dB
--------------------	----------



Waste types	Alu cans, tin cans, PET bottles.
--------------------	----------------------------------



Bay Area Trash Compactor
 800-955-0866
 info@batc-compacts.com
www.BATC-Compacts.com