

KP1SC Compactor



Self-Contained Compactor with 1 cubic yard loading chamber

K-PAC's KP1SC Self-Contained Compactor offers end users the benefits and economics of compaction combined with liquid tight capability. The KP1SC Features a large cleartop opening to accommodate a variety of compactible waste materials. A convenient loading height makes ground level loading quick and easy. One piece construction between the packer head and container, and a 44" liquid retention height assure leakproof performance. Increased ram pressure

versus competitive models means a higher compaction ratio and reduced disposal costs.



K-PAC's curved door design adds strength and capacity to the KP1SC compactor. The doors curved design initiates a "rolling" effect on the waste material increasing compaction density.



Optional:
full enclosure with side door and access interlock switch for user safety

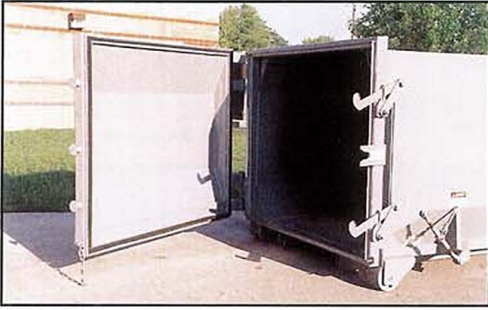


The KP1SC's 1 cubic yard loading chamber, with a 32" x 46" clear top opening, and a 44" loading height, is easy to load from a dock or ground level. A higher ram face pressure and deeper (16") ram penetration give the KP1SC the best compaction performance in it's class.

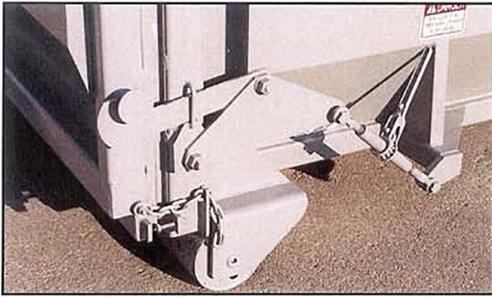


MADE IN THE U.S.A.

KP1SC

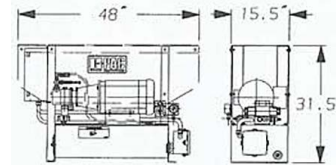
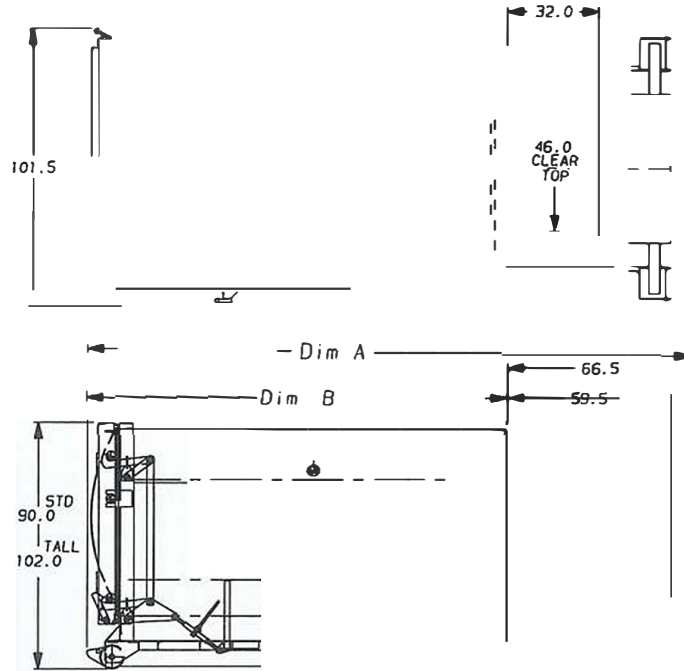


A full neoprene door seal assures liquid retention and offers excellent resistance to chemicals, oils etc.



KP1SC's feature a heavy-duty single ratchet latch system which pulls the door tightly and evenly against the door seal. K-PAC's innovative latching system features an adjustable stop to prevent over compression and damage to the door seal... resulting in longer seal life and less downtime for seal replacement.

KP1SC Self-Contained



Rev. 8/01
H9017-1

Capacity Cubic Yds.	KP1SC Dim. A	KP1SC Dim. B	Specifications for KP1SC
<u>STD</u>			
25	249.0	182.5	Loading height 44"
21	219.0	152.5	Cleartop opening 32"L x 46"W
17	189.0	122.5	Ram penetration 16"
			Ram face 22.5"H x 47.75"W
<u>TALL</u>			Motor 5HP 1-220 or 10HP 3-208/230/460
33	273.0	206.5	Pump 11 GPM (Hi-Lo)
28	243.0	176.5	Cylinders 4" bore x 37" stroke x 2 1/2" rod
23	213.0	146.5	Normal pressure 1,850 PSI
19	183.0	116.5	Max. pressure 2,100 PSI
			Normal packing force 39,700 pounds
			Max. packing force 45,100 pounds
			Normal ram face pressure 36.8 PSI
			Max. ram face pressure 41.8 PSI
			Cycle time 37 seconds



Bay Area Trash Compactor
1-800-955-0866
info@batc-compacts.com
www.batc-compacts.com