

Other Recycling Equipment

DP16



Drum Press DP16

Compress drums by 90%

Easily compress your steel or oil drums. The drum press compacts the drums by 90%.

For drums up to 55 gallons

The drum press easily handles drums without explosive content up to 55 gallons.

Highlights

- Up to 90% compaction
- Spikes in the press plate puncture the drum and remove air
- High degree of safety
- Interlock system prevents the motor from running unless the door is closed
- Compressed drums are easy to stack and store

Details and benefits



Compact oil drums and other drums without explosive contents.



Spikes mounted underneath the press plate puncture the drum and remove air.

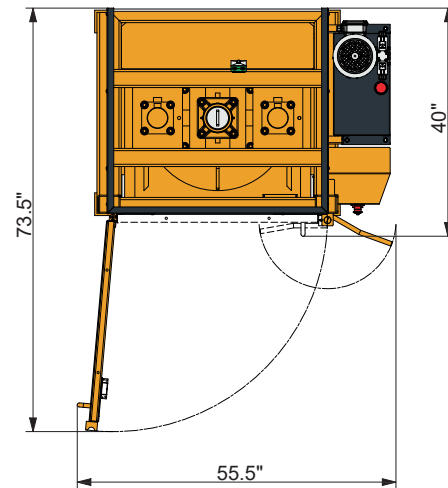
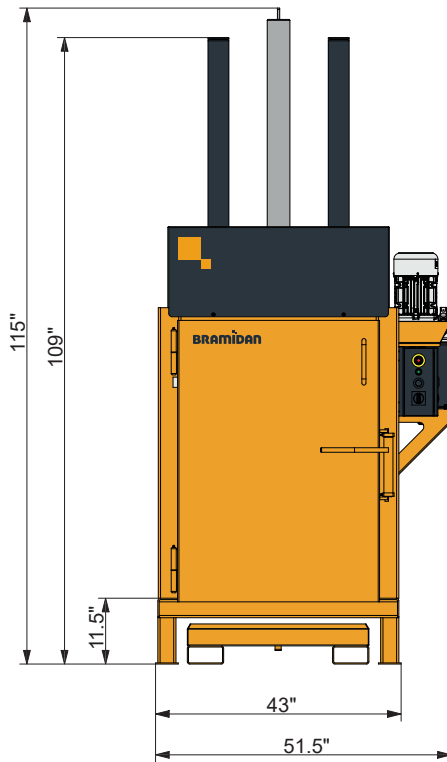


We offer a special drip tray to collect residuals.



Product details

Drum Press DP16



Technical specifications

Power supply	3x208/230/480V 60Hz
Motor (HP)	5.5
Noise Level (dB)	70-75 dB
Dimensions WxDxH (inch)	52 x 40 x 115
Weight (lbs)	1940
Stroke (inch)	39
Feed opening WxH (inch)	24 x 37
Load height (inch)	8



Press force 35,200 lbs



Feed opening 24 x 37 inch



Cycle time 30 sec