

Horizontal balers



Small footprint

Big results

When recycling volumes start to exceed that of one or multiple vertical balers at around 75 tons of material processed per month, a horizontal baler is usually the solution.

In the world of horizontal balers, the auto-tie baler is the most desired because of its ability to process lots of material quickly and with less labor. Often these balers are either too big or too expensive for a small to medium sized company.

Not anymore...



Press Force
89,000 lbs



Bale Weight
750-1,300 lbs



Bale Size
60 x 30 x 45 inches



Waste Types
Cardboard, Plastic Foil

PRESTO
for your pressing issues



Presto CC-40

Horizontal auto-tie

Introducing the PRESTO CC-40 - A high capacity, compact design, continuous feeding, auto-tie horizontal baler.

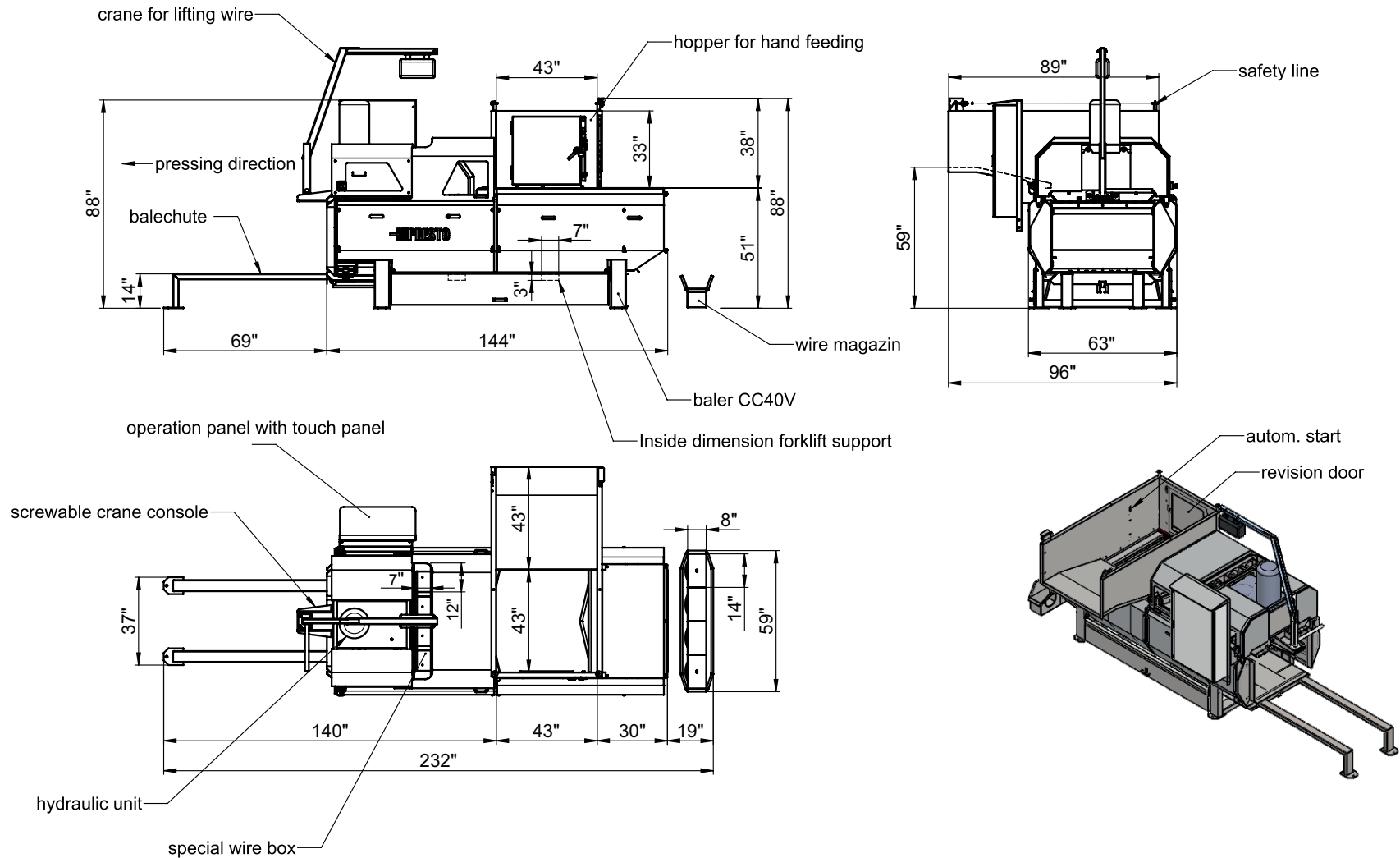
Loaded with features like side cylinder actuation, a unique wire piercing system, dual side loading capability, an intuitive touch panel control and much more, the CC-40 is a revolution in horizontal baling.

With a very favorable price point, the CC-40 makes the perfect baler for medium to large sized manufacturing, big box stores, distribution centers, small recyclers, logistics and other industries.

Advantages

- Very cost effective solution.
- Low consumption of wire.
- System uses a blade and counter-blade for clean bales.
- The touch screen panel allows you to set important parameters and is user friendly.
- Overall space allocation is 108 square feet or 12 ft x 9 ft.
- Adjustable bale lengths.
- Low noise operation.
- Many options for various applications.





Technical specifications

Machine Dimensions (L X W X H Inches)	146 x 79 x 87
Space Required (L X W Inches)	213 x 111
Feed Opening (L X W - Inches)	41 x 44
Max Weight Throughput (Material Density 2 LBS/FT ³)	Up to 2 ton/HR
Max Weight Throughput (Material Density 3.5 LBS/FT ³)	Up to 4 ton/HR
Bale Dimensions (Inches)	60 x 44 x 30
Bale Length Adjustment Range (Inches)	23-60
Number of Bale Wires	4
Bale Weight (LBS) OCC	750-1,300

BRAMIDAN[®]
 bramidanUSA.com

Bramidan US, Inc.

HQ Chicago, IL office - phone 312 261 6006
 San Antonio, TX office - phone 210 421 6412
 USA@bramidan.com