

Vertical Balers

B-series

Baler PC24 HD Galvanized



Extraction of liquids

The PC24 HD combines baling and draining of plastic bottles and alu cans in one step. The residuals are being captured in the built-in reservoir.

Alu cans

The PC24 HD will compact alu cans so dense that they will stick together.

Highlights

- Heavy duty construction
- Extremely dense bales
- Flap Door for easy loading of waste material
- Completely closed chamber with a built-in liquid reservoir
- Option for regular paint instead of galvanized

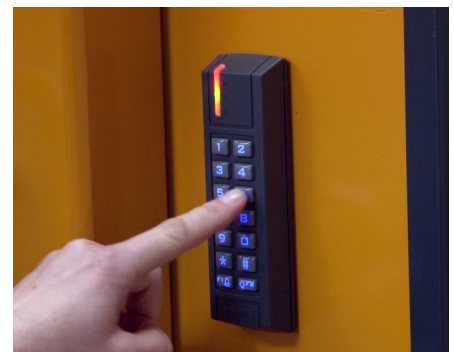
Optional Extras



Available in regular painted version as well.



Built-in Intelligence monitoring system - called BRA-IN, optimizes use and logistics.



A digital auto lock will prevent unauthorized users from running the baler without a 4-digit code.

Product details

Baler PC24 HD Galvanized



Whisper

30 dB



Refrigerator

50 dB



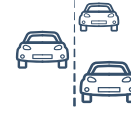
PC24 HD Galvanized

62-64 dB



Other balers

75 dB



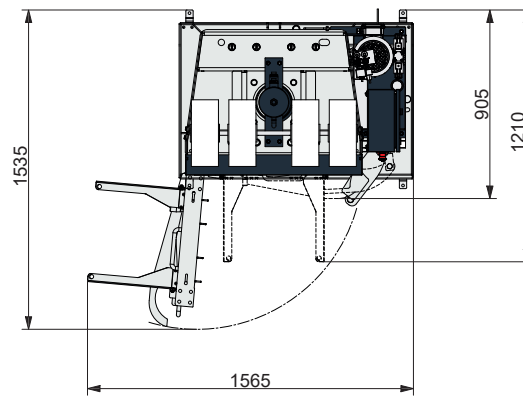
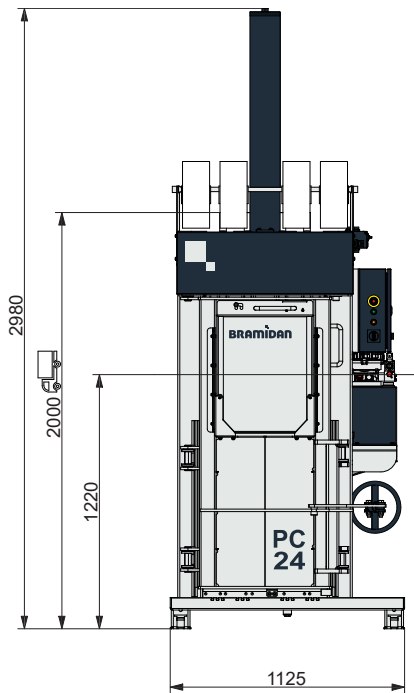
Cars on highway

100 dB



Turbojet engine

160 dB



Technical specifications

| | |
|-----------------------|---------------------|
| Bale size WxDxH (mm) | 600 x 500 x 200-650 |
| Feed opening WxH (mm) | 470 x 470 |
| Power supply | 3x400V 50Hz 16A |
| Motor (kW) | 4.0 |
| Cycle time avg. (sec) | 40 |
| Dimensions WxDxH (mm) | 1125 x 1210 x 2980 |
| Weight (kg) | 900 |
| Stroke (mm) | 1100 |
| Number of ties | 4 |
| Type of tying | Twine / Steel wire |
| Full bale light | Yes |
| Bale eject | Automatic |



Bale weight

Alu cans (kg) 15-55
Plastic bottles (kg) 30-105



Press force

24 t



Noise level

62-64 dB



Waste types

Alu cans, tin cans, PET bottles.

BRAMIDAN
bramidan.com

Bramidan A/S
Industrivej 69
6740 Bramming
Denmark
Tel. +45 7517 3266
bramidan@bramidan.dk