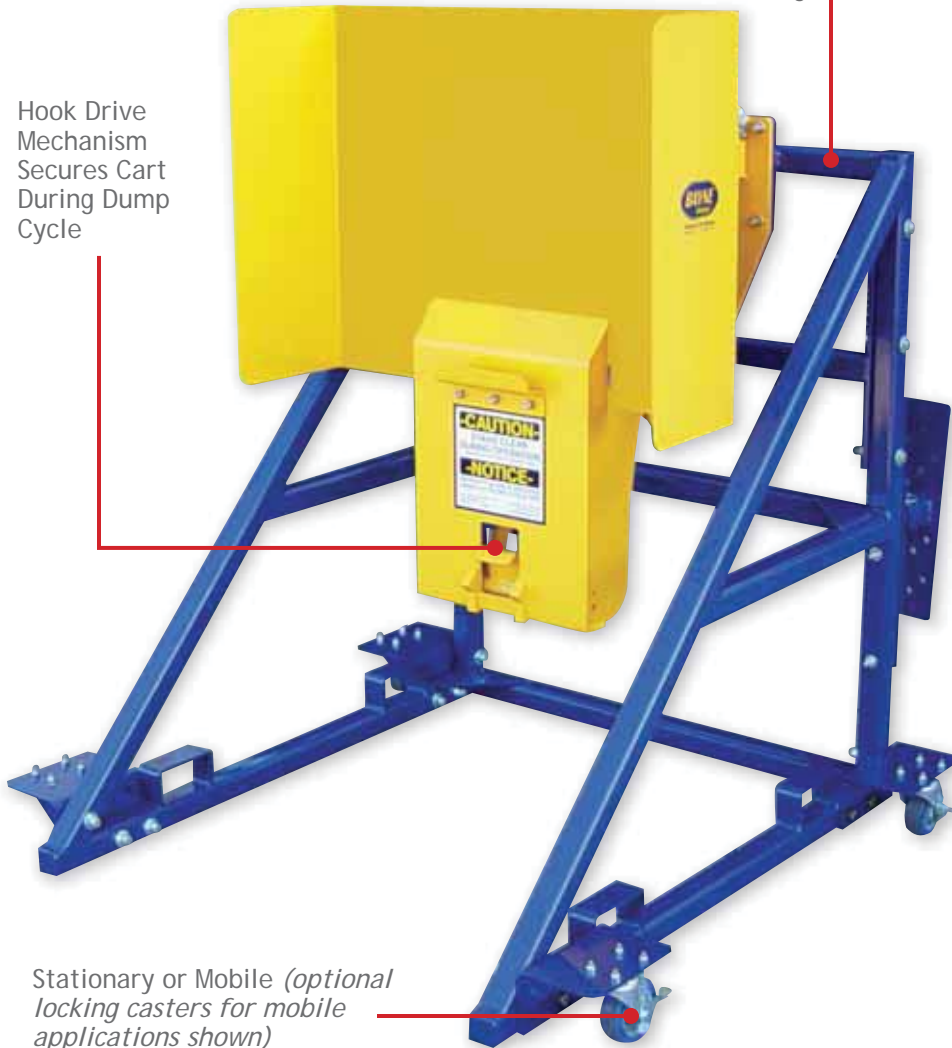


BEST—Bayne Engineered Solutions Team C/I Taskmaster Series

dynamic
cost-effective
Strong

Strong 1/4" Wall
Structural Steel
Tubing

Hook Drive
Mechanism
Secures Cart
During Dump
Cycle



Stationary or Mobile (*optional
locking casters for mobile
applications shown*)



Specifications:

- 41-61" Dump-over Heights
- Up to 500 lbs. Lift Capacity
- 6-8 Second Cycle Time
- 1800 psi Working Pressure
- 40° Dump Angle



Easy to Use Pendant Control
(standard on all C/I Taskmaster Series)

Compatible with standard domestic style 2-bar roll-out carts

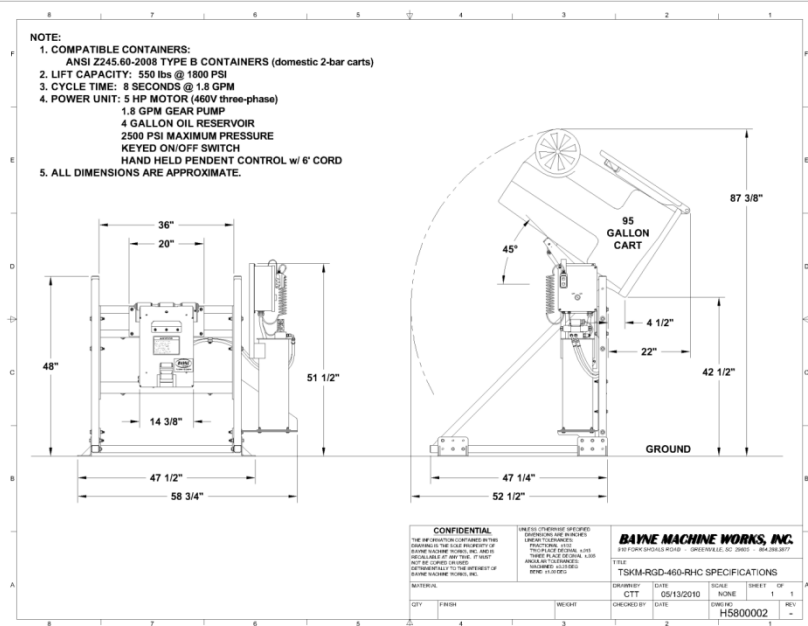
42-1/2" Dump Over Height

87-3/8" Overhead Height

45° Dump Angle

550 lbs Lift Capacity

8 Second Cycle Time



Hi-Lift

Compatible with standard domestic style 2-bar roll-out carts

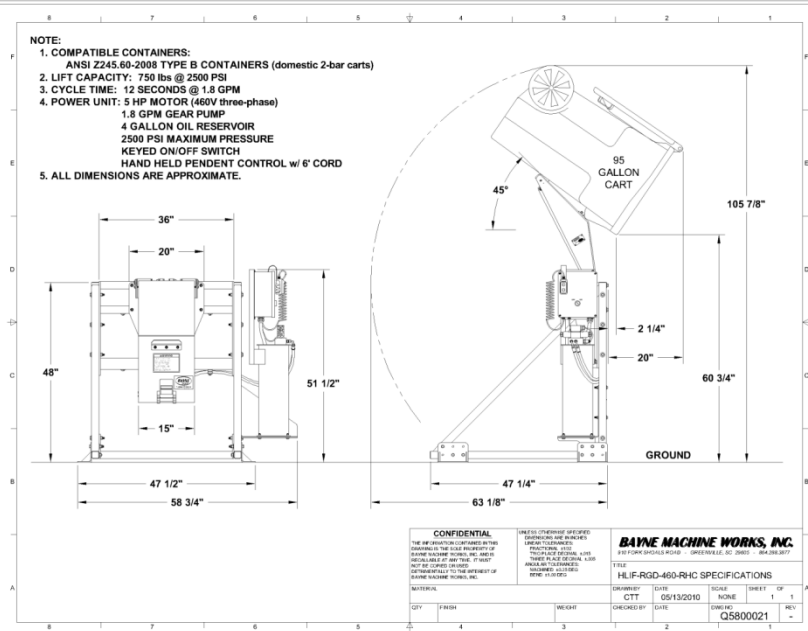
60-3/4" Dump Over Height

105-7/8" Overhead Height

45° Dump Angle

750 lbs Lift Capacity

12 Second Cycle Time



Super Hi-Lift

Compatible with standard domestic style 2-bar roll-out carts and Ameri-Kart® 1/2 yd & 1 yd Material Handling Carts

57" Dump Over Height

137-7/8" Overhead Height

40° Dump Angle

1000 lbs Lift Capacity

12 Second Cycle Time

