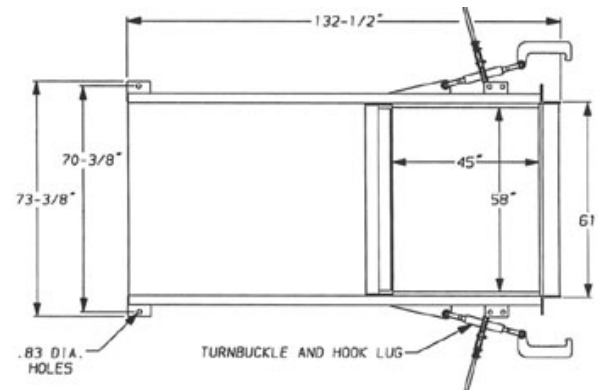
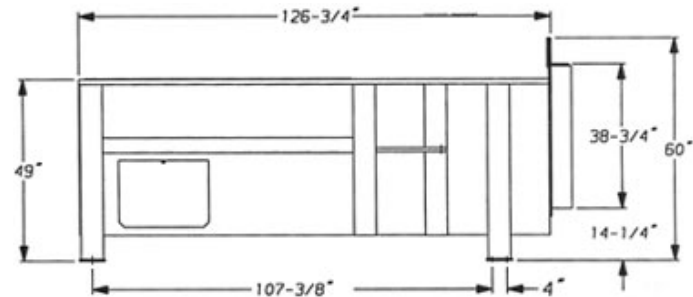


# STANDARD FEATURES

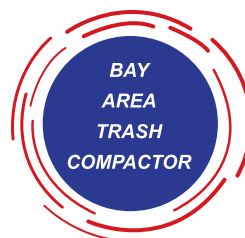
SPECIFICATIONS FOR KP2SH	
NSWMA Rating	1.72 Cubic Yards
Cleartop opening	45" x 58"
Ram penetration	14"
Cylinder Size	(1) 6" x 60" Stroke
Floor	.38 Plate
Compactor Sides	.19 Plate
Ram Top	.25 Plate
Ram Face	.50 Plate
Power Pack HP	10 HP
Cycle Time	62 Seconds
Norm. Force	60,800#
Max. Force	66,450#
Norm. PSI	2,150 PSI
Max. Force	2,250 PSI
Pump Size	12 GPM
Res. Size	20 Gallons
Weight/Complete	5200 lbs.
Hydraulic Fluid	Dexron II ATF
Power Pack	10 HP T.E.F.C. 3 Phase 230/460 Volt 60 Hertz



NOTES:

***Ask about our rental & leasing programs!***

**DISTRIBUTED & INSTALLED BY:**



Bay Area Trash Compactor

2310 Tice Valley Blvd. | Walnut Creek, CA 94595 | Toll Free: (800) 955-0866 | Office: (925) 465-5133

www.batc-compacts.com | info@BATC-Compacts.com