



# M60STD

## Vertical Baler

The M60STD Vertical Baler is the Ideal Solution For:

- Recycling Centers
- Transfer Stations
- Super Markets
- Hotels/Motels
- Department Stores
- Manufacturing Facilities
- Colleges/Universities
- Military Bases
- Industrial/Commercial Sites
- Shopping Centers
- Hospitals

**Increase the efficiency of your waste disposal operations and boost your bottom line with Harmony Enterprises' M60STD Vertical Baler.**

Compare these features of the M60STD with the competition:

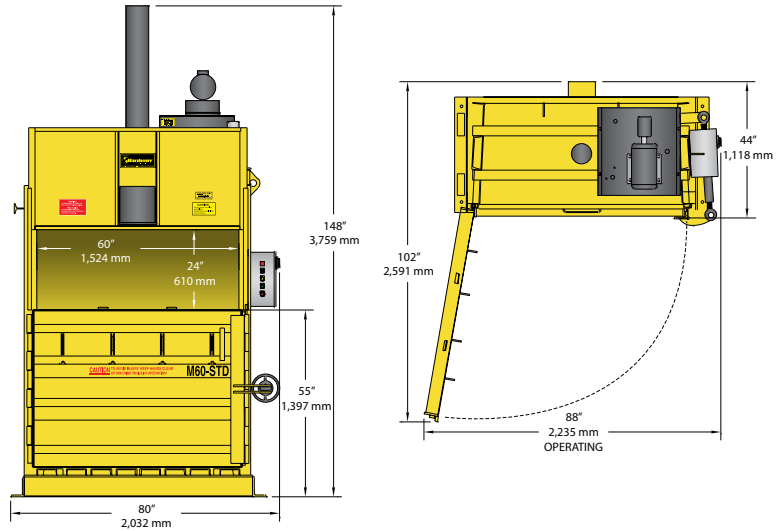
- Fast 49 second cycle time reduces your work time
- Heavy-duty 6" cylinder with 4" rod for extra long life
- Formidable 56,500 pounds of ram force
- Adjustable Bale Maximizer Timer for excellent bale quality
- Standard retractable bale dogs for maximum material containment

- Standard voltage disconnect included
- Full hinge construction on lower door and latch
- Bale full light and shutoff for consistent bale sizes
- Bale height adjustment selector

The M60STD Vertical Baler, another great idea from Harmony Enterprises...*The Undisputed Leader in Quality Manufacturing.*



## M60STD Vertical Baler



### Standard M60STD Features:

- Complete baler is UL® listed
- Powerful 6" cylinder with heavy-duty 4" rod for extra long life
- Standard retractable bale dogs for maximum material containment
- Full hinge construction on lower door and latch
- Enclosed counterbalance for upper door lifting ease
- Six slots for tying bales
- Heavy-duty motor and hydraulics for extra long life
- Meets or exceeds all ANSI and OSHA safety standards

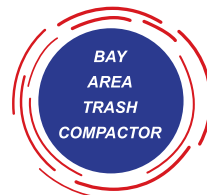
### SPECIFICATIONS

Bale Size	30" x 60" x up to 51" (762 mm x 1,524 mm x up to 1,295 mm)
Bale Weight (corrugated)	up to 1,100 lbs. (499 kg)
Ram Pressure	56,550 lbs. (25,651 kg)
Cycle Time	49 seconds
Cylinder	6" bore (152 mm) 4" rod (102 mm) 48" stroke (1,219 mm)
Motor	10 horsepower
Pump	12 gallons per minute
Electrical Power	208/230/460 volt, 3 phase, 60 hz
Bale Eject	Hydraulic
Bale Tying	Wire or banding

### DIMENSIONS

Loading Door Opening	24" x 60" (610 mm x 1,524 mm)
Unloading Door Height	55" (1,397 mm)
Overall Height	148" (3,759 mm)
Overall Depth	44" (1,118 mm)
Overall Width	80" (2,032 mm)
Depth with Door Open	102" (2,591 mm)
Width with Door Open	88" (2,235 mm)
Shipping Height (on side with cylinder extended)	80" (2,032 mm)
Installation and Operating Area	62.5 square feet (5.8 square meters)

Specifications subject to change without notice.



**Bay Area Trash Compactor**  
**2310 Tice Valley Blvd.**  
**Walnut Creek, CA 94595**  
**1.800.955.0866**  
**www.BATC-Compacts.com**