



*Reduce. Reuse. Recycle...  
Compact the Rest!*



## S-V95 Multi-Station Roller-Cart Compactor

This extraordinary solution allows you to compact directly into your existing rolling carts. Simply stage your carts in the frame, drop material into roller cart, slide compactor head over the cart, push the button and walk away. Eliminate unnecessary extra cans and extra pick-up days.

You can organize a complete miniature trash/recycling/organics station in a small footprint. Waste can be processed and conveniently sorted for immediate recycling, composting or disposal. Flexible design allows capacity to be tailored to requirements, but does not overload the carts.

The Summit V95 compacts into standard 64 gallon and 95 gallon Roller Carts.

### Benefits

- Slash Waste Costs 35-75%
- Save Space
- Simplify waste/recycle/compost handling
- Improve workplace environment

### Features

- Modular & durable
- Quiet operation
- Top-loading
- Uses standard bins
- Easy & safe to use



Modular design provides complete flexibility

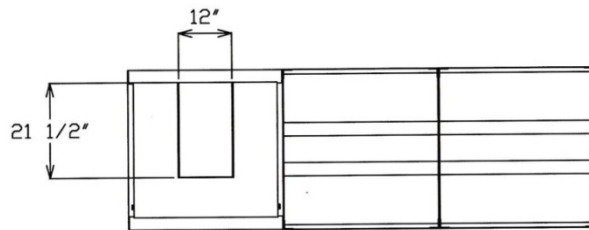
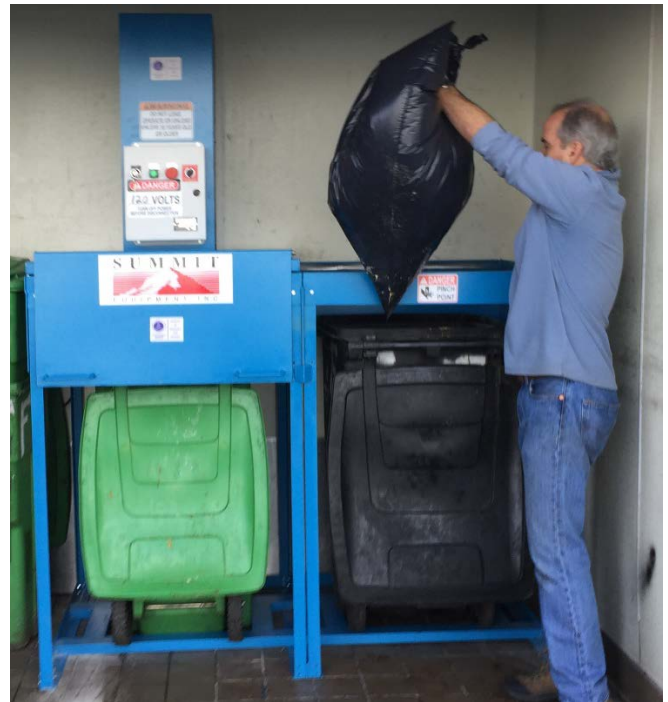
**Bay Area Trash Compactor**

(800) 955-0866 Toll Free (925) 465-5133 Office

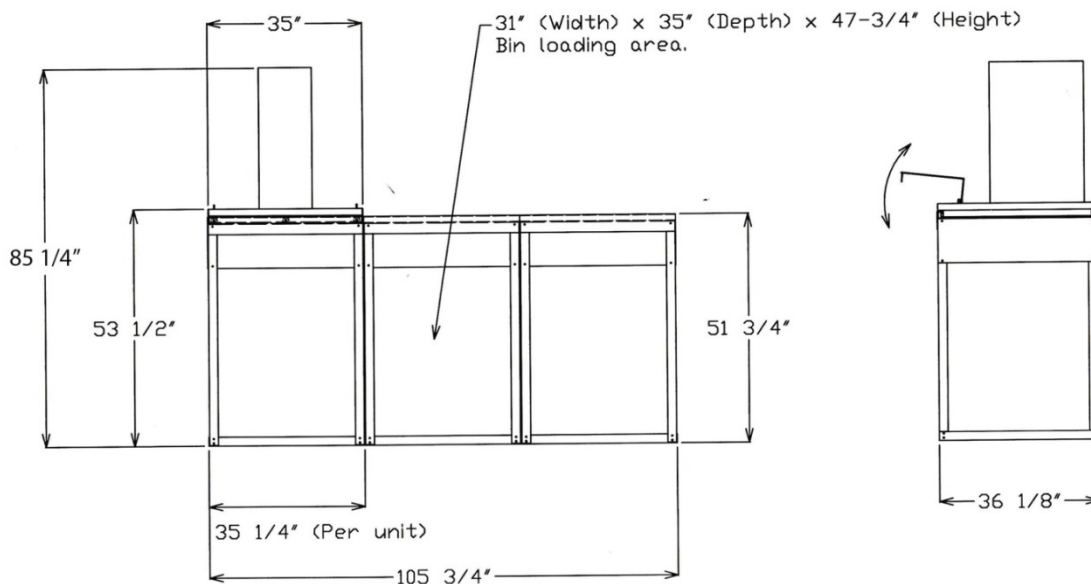
[info@BATC-Compacts.com](mailto:info@BATC-Compacts.com) | [www.BATC-Compacts.com](http://www.BATC-Compacts.com)

## Specifications

Feed chamber opening	30"W × 30"D
Container capacity	95 gal carts/bins/totes
Cycle time	57 sec
Platen penetration	20"
Motor	½" HP
Line power	115 VAC 1Ø, 9.4 FLA
Hydraulic pump	0.91 gpm gear
Line pressure	700 psi operating; 1,000 (max)
Packing force	3,436 lbs typ, 4,909 lbs max
Platen face pressure	17 psi (typ); 24.4 psi (max)
Cylinder	2½" × 24" × 1-3/8"
Safety shutdown	Mushroom-headed emergency STOP
System protection	Electrical & mechanical, manual & auto
Fluid reservoir	Supplied with breather & fluid
Dimensions	(3 Chamber) 105.75 w x 85.25 h"
Shipping Weight	200 lbs
Certification	UL508A/CSA C22.2 No.14 or UL73



Modular design allows compactor to have two, three, four...to an unlimited number of chambers.



**Bay Area Trash Compactor**

(800) 955-0866 Toll Free (925) 465-5133 Office

[info@BATC-Compacts.com](mailto:info@BATC-Compacts.com)

| [www.BATC-Compacts.com](http://www.BATC-Compacts.com)