



M60MD

Vertical Baler

The M60MD Vertical Baler is the Ideal Solution For:

- Shopping Centers
- Supermarkets
- Hotels/Motels
- Hospitals
- Industrial/Commercial Applications
- The Military
- Department Stores

This space saving low profile workhorse operates under a standard ceiling.

Compare these features of the M60MD with the competition:

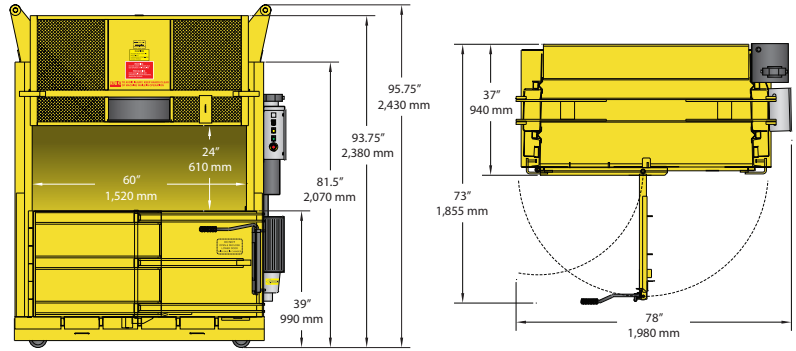
- Operates under an 8 foot ceiling height
- Rolls through any 3½' x 7' doorway
- This machine is ideal for baling and recycling cardboard, shrink wrap film and other recyclables
- Produces 700-900 pound corrugated bales

- Fast 33 second cycle time reduces your work time
- Shipped upright for easy unloading and placement at the worksite

The M60MD Vertical Baler, another great idea from Harmony Enterprises...*The Undisputed Leader in Quality Manufacturing.*



M60MD Vertical Baler



Standard M60MD Features:

- Control panel is UL® listed
- The operator loads, compacts, ties, and hydraulically ejects bales from the front of the machine, the compression cycle is fully automatic
- Physical durability is assured through solid construction
- Safety interlocks and shielding of all shear and pinch points makes the M60MD the safest 60" baler available today
- 5 horsepower motor for energy efficient operation
- Energy efficient two-stage pump provides maximum compaction pressure and rapid operating cycles with minimum horsepower
- Meets or exceeds all ANSI and OSHA safety standards

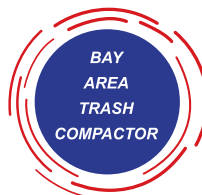
SPECIFICATIONS

| | |
|---------------------------------------|--|
| Bale Size | 30" x 60" x up to 30 high" (762 mm x 1,520 mm x up to 762 mm) |
| Bale Weight (corrugated cardboard) | 700 - 900 lbs. (318 - 408 kg) |
| System Pressure | 2,300 PSI |
| Bale Pressure | 57,805 lbs. (26,221 kg) |
| Cycle Time | 33 seconds |
| Cylinder | Twin 4" bore (102 mm) 32" stroke (813 mm) |
| Motor | 5 horsepower, 3,450 RPM |
| Pump | Two-stage |
| Electrical Power | 208/230/460 volt, 3 phase, 60 hz |
| Bale Eject | Hydraulic |
| Bale Tying | Wire twine, strapping |

DIMENSIONS

| | |
|----------------------|-------------------------------|
| Loading Door Opening | 24" x 60" (610 mm x 1,520 mm) |
| Overall Depth | 37" (940 mm) |
| Overall Width | 78" (1,980 mm) |
| Depth with Door Open | 73" (1,855 mm) |
| Shipping Height | 81.5" (2,070 mm) |
| Shipping Weight | 4,000 lbs. (1,814 kg) |
| Operating Height | 95.75" (2,430 mm) |

Specifications subject to change without notice.



Bay Area Trash Compactor
2310 Tice Valley Blvd.
Walnut Creek, CA 94595
1.800.955.0866
www.BATC-Compacts.com